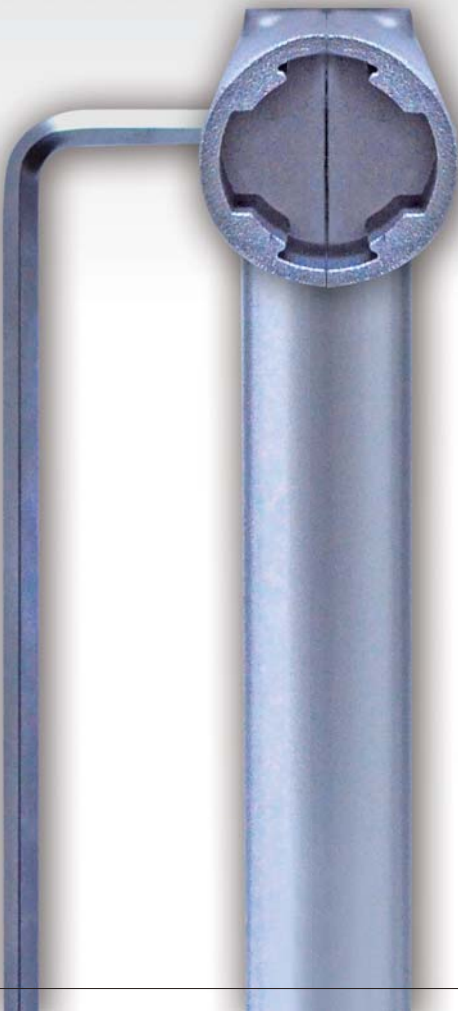


A detailed close-up photograph of an aluminum modular system. The image shows several vertical and horizontal aluminum extrusions connected by various joints and pulleys. Two black pulleys are visible, mounted on the vertical tracks. The joints are secured with screws and nuts. The overall structure is clean and industrial. A red decorative shape is visible in the bottom-left corner of the image.


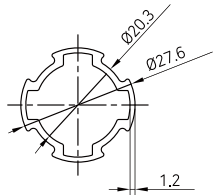

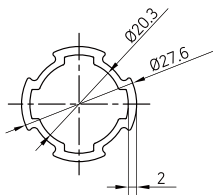

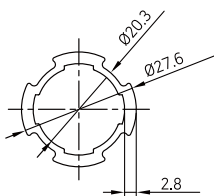

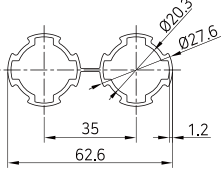

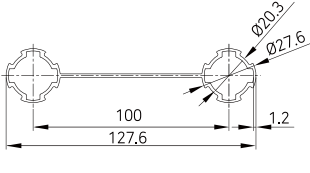

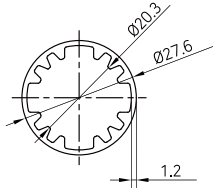
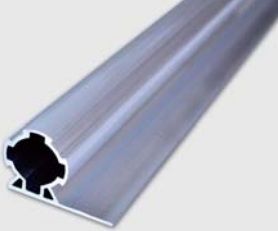
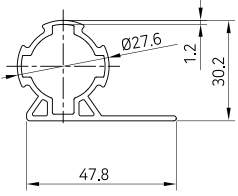

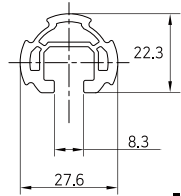
Aluminum Modular System

: Another gateway to the world of Lean Manufacturing

: Light in Weight, Easy to Move



ALUMINUM PIPE

<p>ASP-1120</p> 	<p>ALUMINUM STANDARD PIPE 1.2T</p>  <p>■ 1.720kgs/4mts</p>	<p>ASP-1200</p> 	<p>ALUMINUM STANDARD PIPE 2.0T</p>  <p>■ 1.748kgs/4mts</p>
<p>ASP-1280</p> 	<p>ALUMINUM STANDARD PIPE 2.8T</p>  <p>■ 1.980kgs/4mts</p>	<p>ADP-1120</p> 	<p>ALUMINUM DOUBLE PIPE 1.2T</p>  <p>■ 2.880kgs/4mts</p>
<p>ADP-1120W</p> 	<p>ALUMINUM DOUBLE WIDE PIPE 1.2T</p>  <p>■ 4.420kgs/4mts</p>	<p>ACP-1120</p> 	<p>ALUMINUM CIRCLE PIPE 1.2T</p>  <p>■ 1.720kgs/4mts</p>
<p>ALP-1120</p> 	<p>ALUMINUM L TYPE PIPE 1.2T</p>  <p>■ 2.332kgs/4mts</p>	<p>ATP-1270</p> 	<p>ALUMINUM T TYPE PIPE 2.7T</p>  <p>■ 2.420kgs/4mts</p>



ALUMINUM JOINT - INDIVIDUAL



ALUMINUM JOINT - INDIVIDUAL

AJ-13B



■ 36,3gms/pc

AJ-45R



■ 23,6gms/pc

AJ-45L



■ 25gms/pc

AJ-45W



■ 49gms/pc

ACS-70


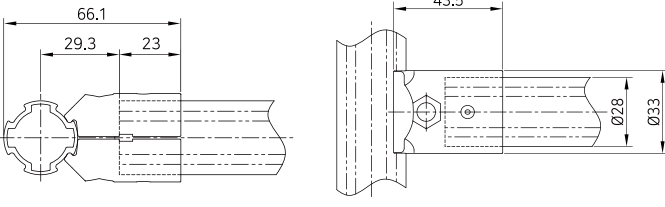
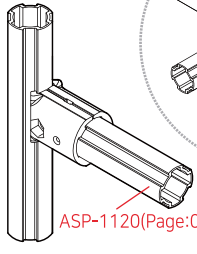
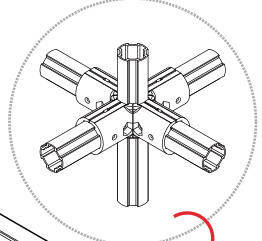


■ 52gms/pc



ALUMINUM JOINT - COMBO


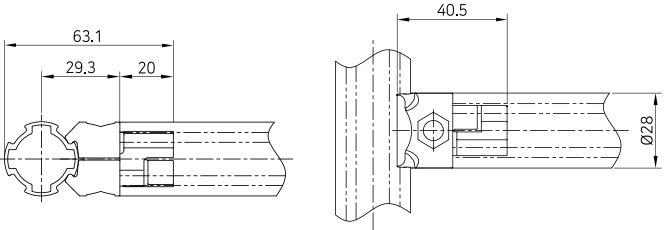
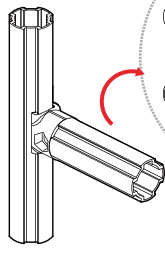
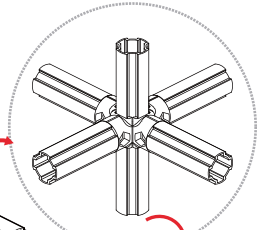
AJA-01

Similarity indicator:AJA-05
ASP-1120(Page:02)

- The combination breakdown
AJ-01 : 2pcs / Bolt(BT-0625) : 1pc / Nut(NT-0600) : 1pc


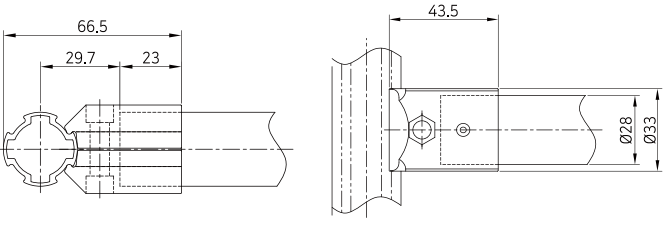
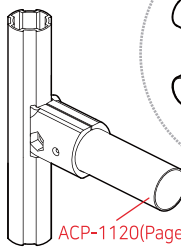
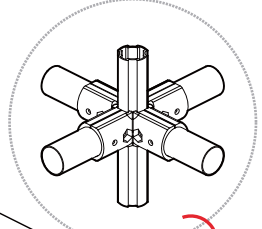
AJA-01B

Similarity indicator:AJA-05B

- The combination breakdown
AJ-01B: 2pcs / Bolt(BT-0620) : 1pc / Nut(NT-0600) : 1pc


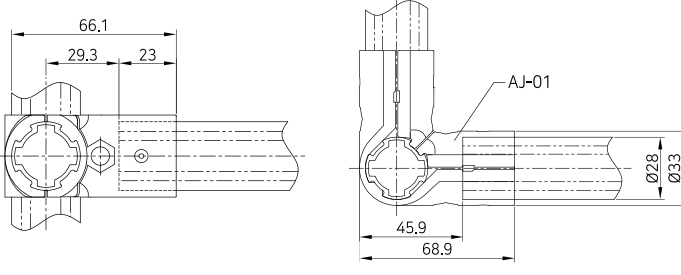
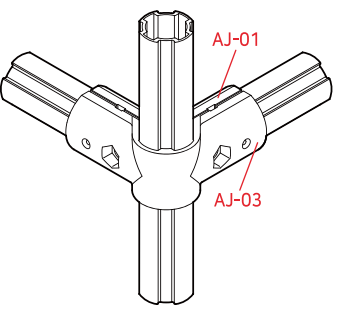
AJA-01C

Similarity indicator:AJA-05C
ACP-1120(Page:02)

- The combination breakdown
AJ-01C : 2pcs / Bolt(BT-0625) : 1pc / Nut(NT-0600) : 1pc

AJA-03

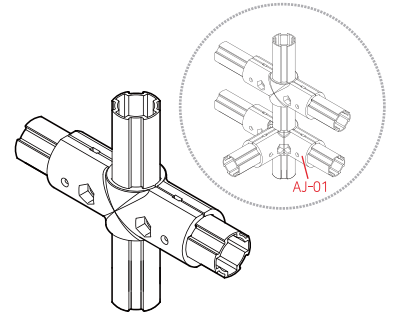
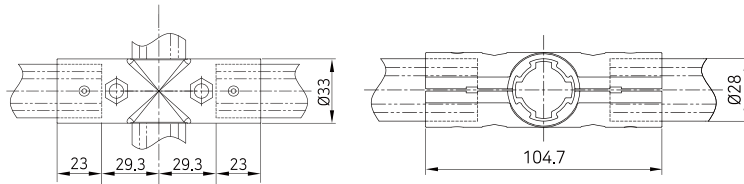




AJ-01
AJ-03

- The combination breakdown
AJ-01: 2pcs / AJ-03 : 1pc / Bolt(BT-0625) : 2pcs / Nut(NT-0600) : 2pcs

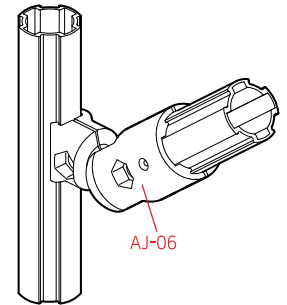
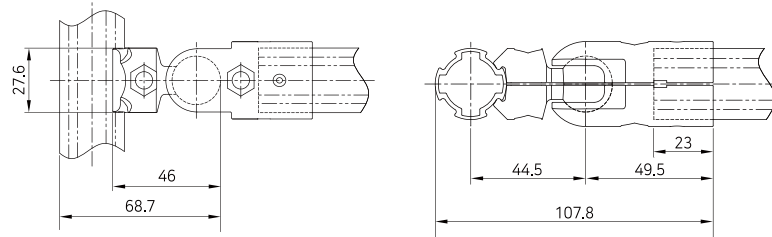
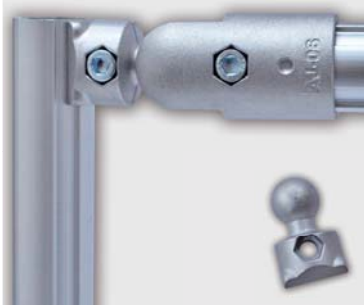
ALUMINUM JOINT - COMBO

AJA-04



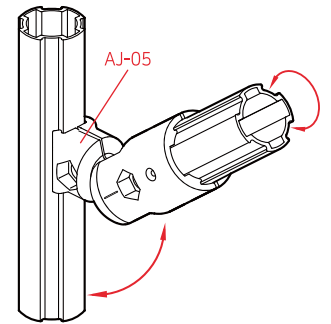
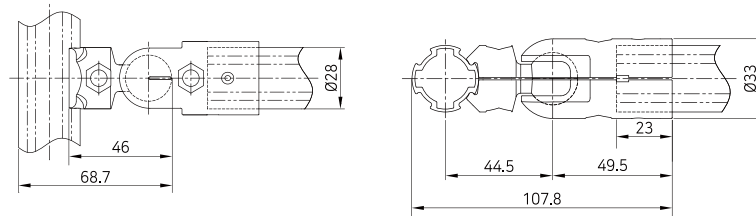
- The combination breakdown
AJ-04 : 2pcs / Bolt(BT-0625) : 2pcs / Nut(NT-0600) : 2pcs

AJA-05



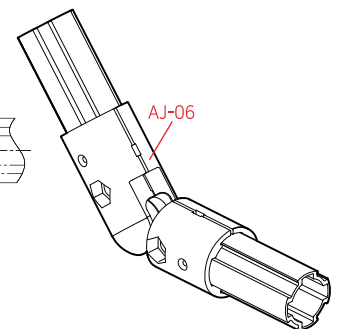
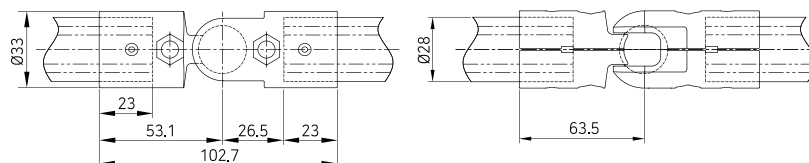
- The combination breakdown
AJ-05 : 2pcs / AJ-06 : 2pcs / Bolt(BT-0620) : 1pc / Bolt(BT-0625) : 1pc / Nut(NT-0600) : 2pcs

AJA-05A



- The combination breakdown
AJ-05 : 2pcs / AJ-06A : 2pcs / Bolt(BT-0625) : 1pc / Bolt(BT-0620) : 1pc / Nut(NT-0600) : 2pcs

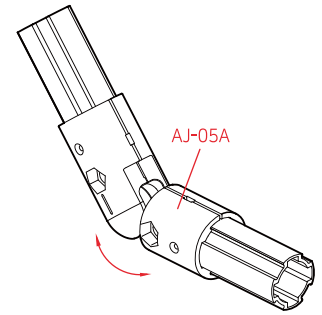
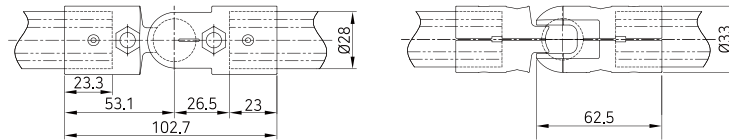
AJA-06



- The combination breakdown
AJ-05A : 2pcs / AJ-06 : 2pcs / Bolt(BT-0625) : 2pcs / Nut(NT-0600) : 2pcs

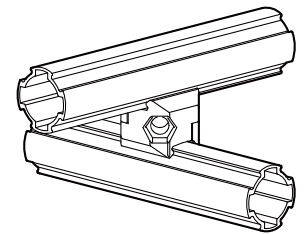
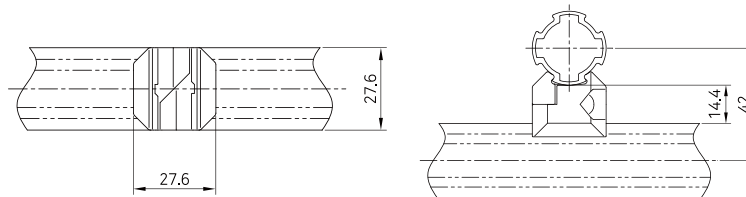
ALUMINUM JOINT - COMBO

AJA-06A



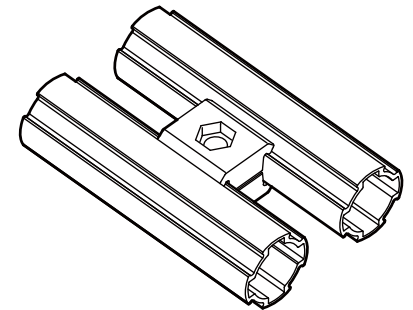
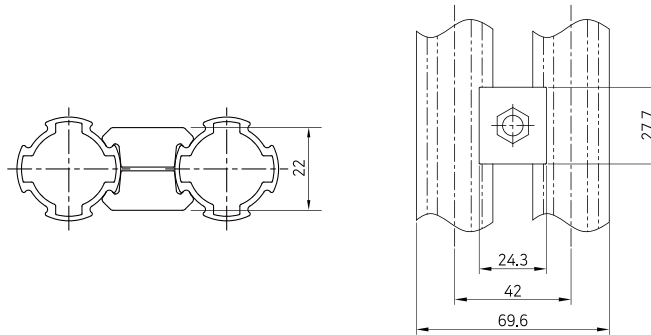
- The combination breakdown
AJ-05A : 2pcs / AJ-06 A: 2pcs / Bolt(BT-0625) : 2pcs / Nut(NT-0600) : 2pcs

AJA-07



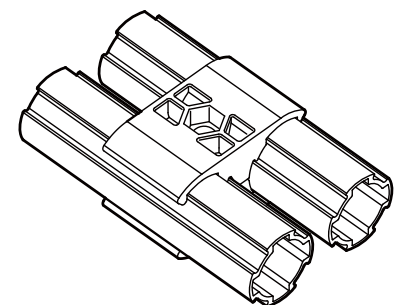
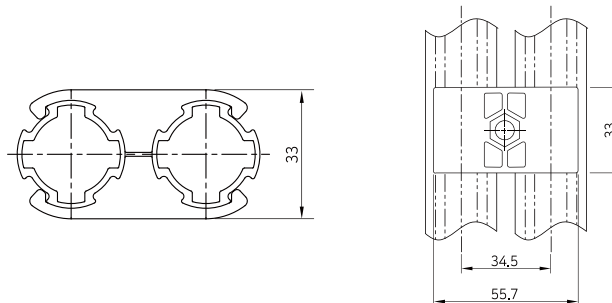
- The combination breakdown
AJ-07 : 2pcs / Bolt(BT-0625) : 1pc / Nut(NT-0600) : 1pc

AJA-08



- The combination breakdown
AJ-08 : 2pcs / Bolt(BT-0620) : 1pc / Nut(NT-0600) : 1pc

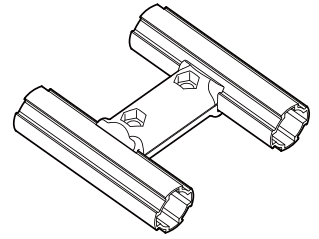
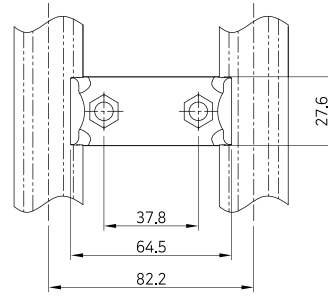
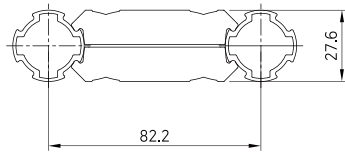
AJA-08A



- The combination breakdown
AJ-08A : 2pcs / Bolt(BT-0625) : 1pc / Nut(NT-0600) : 1pc

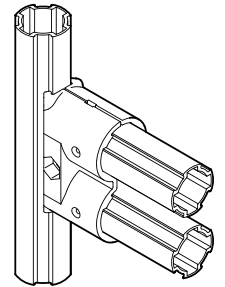
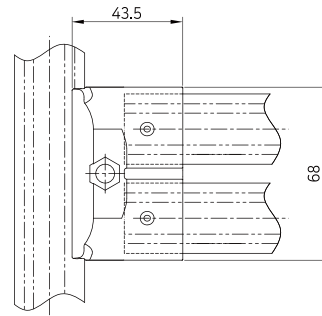
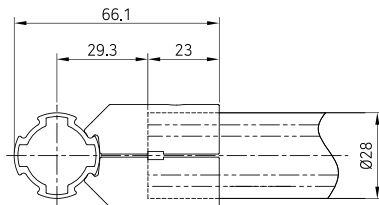
ALUMINUM JOINT - COMBO

AJA-08W



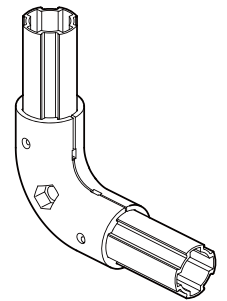
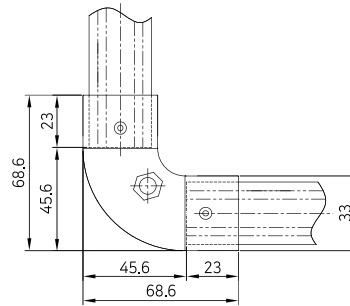
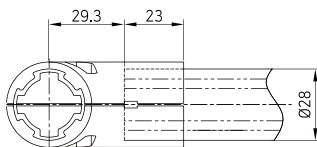
- The combination breakdown
AJ-08W : 2pcs / Bolt(BT-0620) : 2pcs / Nut(NT-0600) : 2pcs

AJA-09



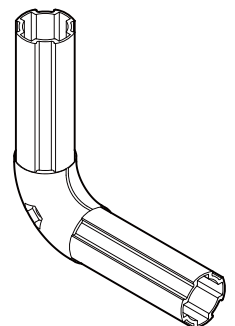
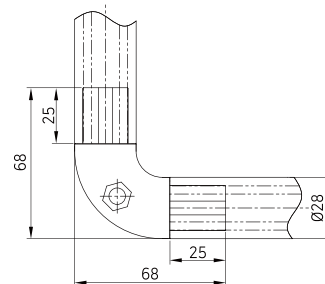
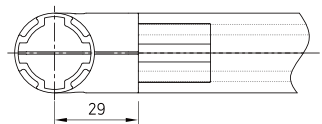
- The combination breakdown
AJ-09 : 2pcs / Bolt(BT-0625) : 1pc / Nut(NT-0600) : 1pc

AJA-13



- The combination breakdown
AJ-13 : 2pcs / Bolt(BT-0625) : 1pc / Nut(NT-0600) : 1pc

AJA-13B

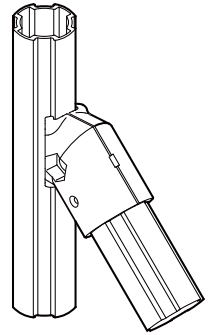
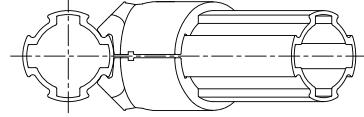
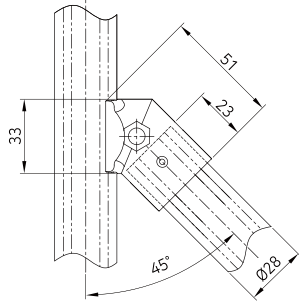


- The combination breakdown
AJ-13B : 2pcs / Bolt(BT-0620) : 1pc / Nut(NT-0600) : 1pc

상기 제품 무게는 개별 단품 무게임 (All weights shown above are based on the individual product)

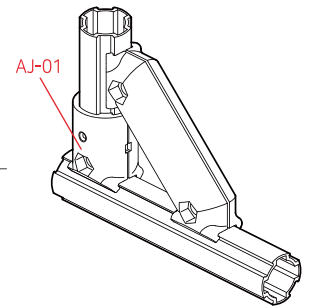
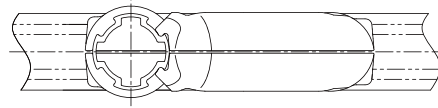
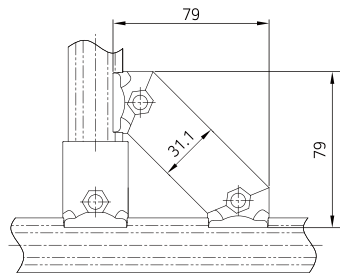
ALUMINUM JOINT - COMBO

AJA-45R / AJA-45L



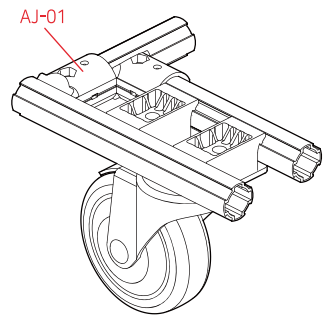
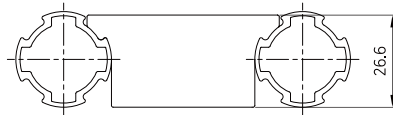
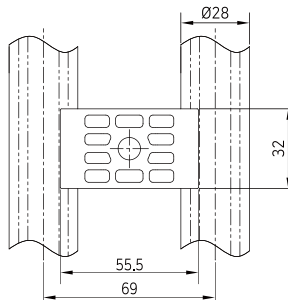
- The combination breakdown
AJ-45L : 1pc / AJ-45R : 1pc / Bolt(BT-0625) : 1pc / Nut(NT-0600) : 1pc

AJA-45W



- The combination breakdown
AJ-45W : 2pcs / Bolt(BT-0620) : 2pcs / Nut(NT-0600) : 2pcs

ACS-70



- The combination breakdown - ACS-70 : 1pc / Bolt(BT-0835) : 1pc / Nut(NT-0800) : 1pc

ACCESSORY

ARC-55 ALUMINUM RAIL FRAME COVER ■ 1.280kgs/4mts

ARF-2820

ARF-2815 ALUMINUM RAIL FRAME 1.5T

■ 5.360kgs/4mts

ARF-2820 ALUMINUM RAIL FRAME 2.0T

■ 7.120kgs/4mts

ALR-404 LINEAR ROLLER ■ 16.7gms/pc

ALR-404

■ The combination breakdown
 SN - 404 & IN - 404 : 1pc(ea) / BT - 0412 & BT - 0415 : 1pc(ea)

APH-2820 ALUMINUM PANEL HOLDER ■ 5.000kgs/4mts (0.025kgs/20mm)

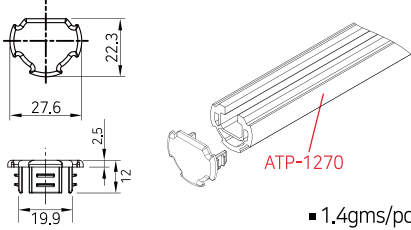

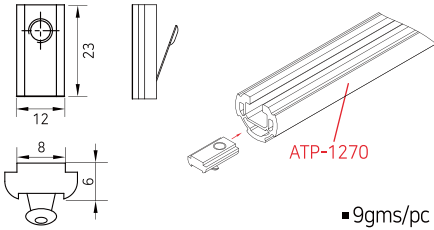
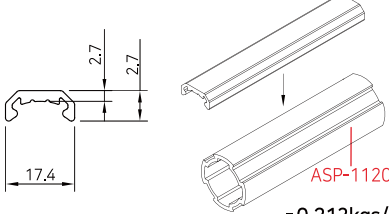
INNER JOINT TYPE OUTER JOINT TYPE

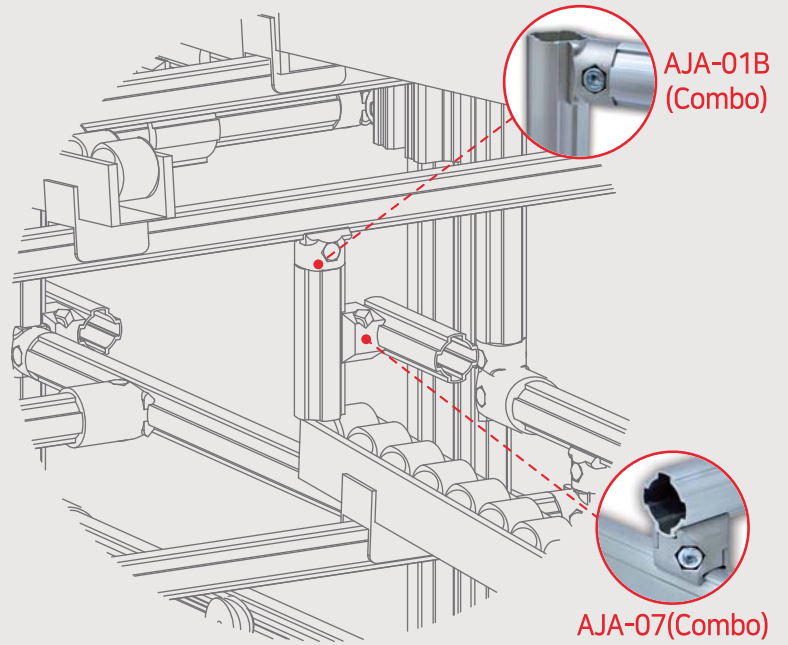
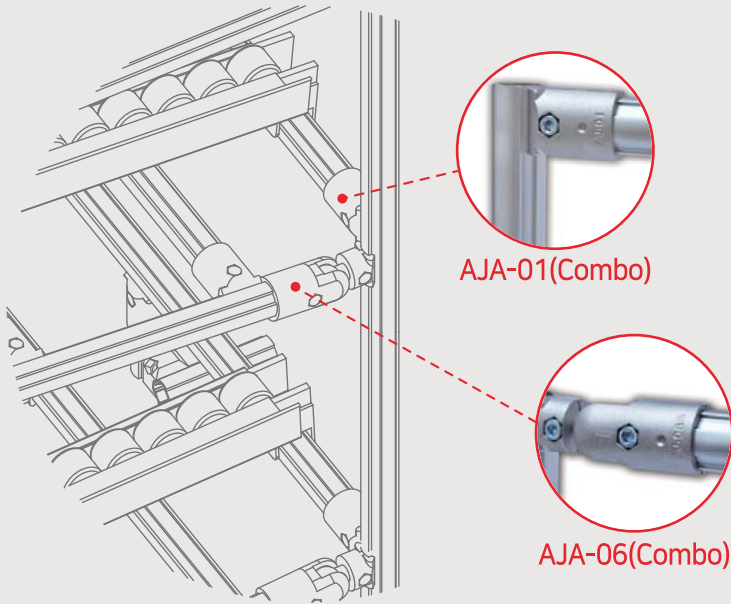
ASH-2852 ALUMINUM SLEEVE HINGE ■ 35.1gms/pc

ROTATE
MOVE

■ The combination breakdown
 ACS - 40A : 2pcs / ASF - 2846A(46mm) : 1pc

ACCESSORY

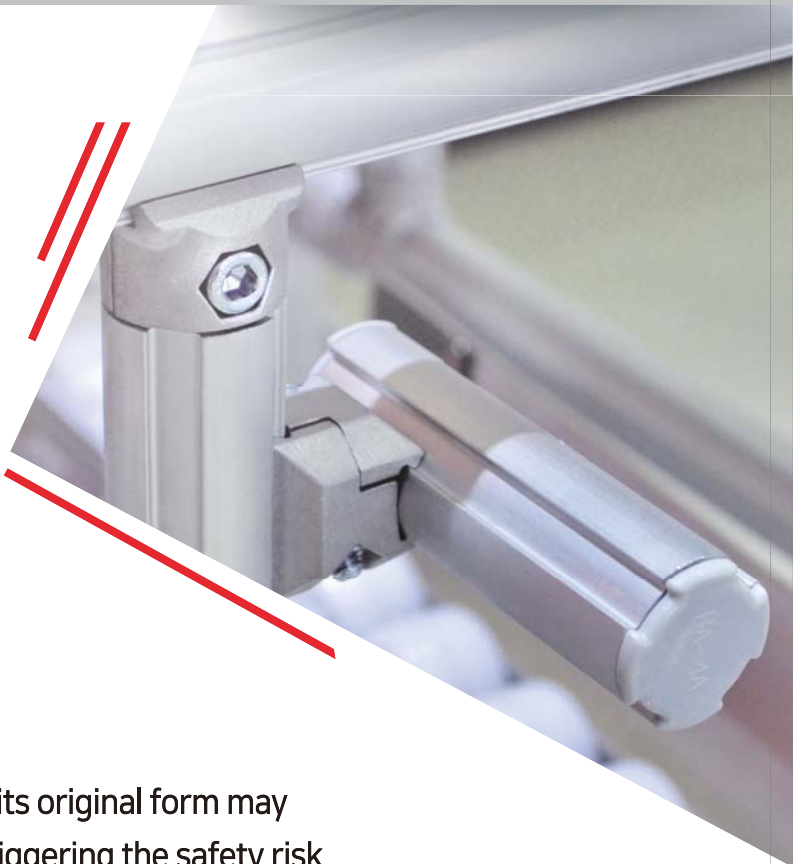
<p>APJ-110T</p> 	<p>ALUMINUM T TYPE PIPE INNER CAP</p>  <p>ATP-1270</p> <p>■ 1.4gms/pc</p>	<p>APJ-110S</p> 	<p>ALUMINUM STANDARD TYPE PIPE INNER CAP</p>  <p>ASP-1120</p> <p>■ 2.1gms/pc</p>						
<p>ALUMINUM PIPE INSERT NUT</p> 	<p>AIN-2812A / AIN-2812B</p>  <table border="1" data-bbox="591 782 764 890"> <thead> <tr> <th>PROJECT CODE</th> <th>"X"</th> </tr> </thead> <tbody> <tr> <td>AIN-2812A</td> <td>1/2" TAP</td> </tr> <tr> <td>AIN-2812B</td> <td>M12 TAP</td> </tr> </tbody> </table> <p>■ 18.1gms/pc</p>	PROJECT CODE	"X"	AIN-2812A	1/2" TAP	AIN-2812B	M12 TAP	<p>ATR-6</p> 	<p>ALUMINUM T SLIDE ROLLER</p>  <p>ATP-1270</p> <p>SPACER-BEARING (O.D. Ø17 * I.D. Ø6 * Thickness 6mm)</p> <p>M6X30 BOLT</p> <p>MOVE</p> <p>■ 31.4gms/pc</p> <p>O.D.(Outer Diameter) / I.D.(Inner Diameter)</p>
PROJECT CODE	"X"								
AIN-2812A	1/2" TAP								
AIN-2812B	M12 TAP								
<p>SPRING NUT</p> 	<p>SN-403/404/405/406/408</p>  <p>ATP-1270</p> <p>■ 9gms/pc</p>	<p>INSERT NUT</p> 	<p>IN-403/404/405/406/408</p>  <p>ATP-1270</p> <p>■ 10gms/pc</p>						
<p>ASG-5A</p> 	<p>ALUMINUM SHEET GUIDE</p>  <p>ATP-1270</p> <p>■ 0.676kgs/4mts</p>	<p>AH-0175</p> 	<p>ALUMINUM HANDLE</p>  <p>AJ-08</p> <p>Set : AH-0175 : 1pc AJ-08 : 2pcs Bolt(BT-0620) : 2pcs Nut(NT-0600) : 2pcs</p> <p>■ 48.5gms/pc</p>						
<p>APC-1</p> 	<p>ALUMINUM PIPE COVER</p>  <p>ASP-1120</p> <p>■ 0.213kgs/3mts</p>								



Excellent scalability to integrate with the AGV technology







Aluminum Modular System Terms of use

1. An improper modification of the product from its original form may cause the malfunction while in use as well as triggering the safety risk.
2. Engaging the product with an excessive level of shock may result in an inappropriate operation
3. Avoid the product or the structure to serve an overloaded duty.
4. The actual dimension of a product may not be exactly identical to the corresponding information indicated in this catalogue.
5. The individual or set products introduced in this catalog may be used with parts produced by other manufacturers. But please make sure it is done that way at your own risk. It is highly recommended that a structure is built of parts from one unique source.
6. A lifespan of product is subject to change depending on the condition of use

1. 제품에 변형을 가하지 마십시오. 제품의 물성 및 사고의 원인이 될 수 있습니다.
2. 과도한 충격을 가하지 마십시오.
3. 허용하중을 초과시 제품파손의 원인이 될 수 있습니다.
4. 제품의 규격을 표시 치수와 다소 차이가 있을 수 있습니다.
5. 타사의 제품과의 혼용을 권장하지 않습니다.
6. 사용환경에 따라 제품수명에 차이가 발생 할 수 있습니다.

All technical data, images specification and etc. shown on this catalogue will probably be modified in order to improve quality of the products and services without prior notice. Please consult with the person in charge for more detail.

본 카다로그에 수록된 제품 및 기술자료, 사양 그림 등은 출판 당시의 제품사양을 반영한 것 입니다.
카다로그에 수록된 내용은 더 좋은 제품의 생산을 위하여 예고 없이 변경될 수 있습니다.
기록 되지 않은 사항은 당사와 협의 하시기 바랍니다.

